

SMS Series

PET Stretch-blow Molding Machine



SMS10000

PET Stretch-blow Molding Machine



SMS10000 is new-generation semi-auto stretch-blow molding machine to produce PET bottles from preforms. Only one worker is required to put preform onto machine's preform holder and the following preform heating, blowing and bottle discharging will finish automatically controlled by SIEMENS PLC system. With SMS10000, you can produce PET bottle with volume up to 10L. Using one-cavity blow mold, it can produce 10L bottle with neck size between 40mm and 50mm up to 500 bottle/hr.

- Neck range 40~50mm
- 1-cavity blow mold
- Pneumatic (SMC & LUCIFER)
- SIEMENS PLC control
- Infrared heating

SMS10000 PET semi-auto stretch blow molding machine is made up of different systems. Thereinto, control system, pneumatic system, heating system and mechanical system are the main ones and will be introduced in sequence as follows.

Control System

The control system is the heart of SMS10000 series PET semi-auto stretch-blow molding machine, which is made up of PLC (Programmable Logic Controller) and heating control unit.

Heating System

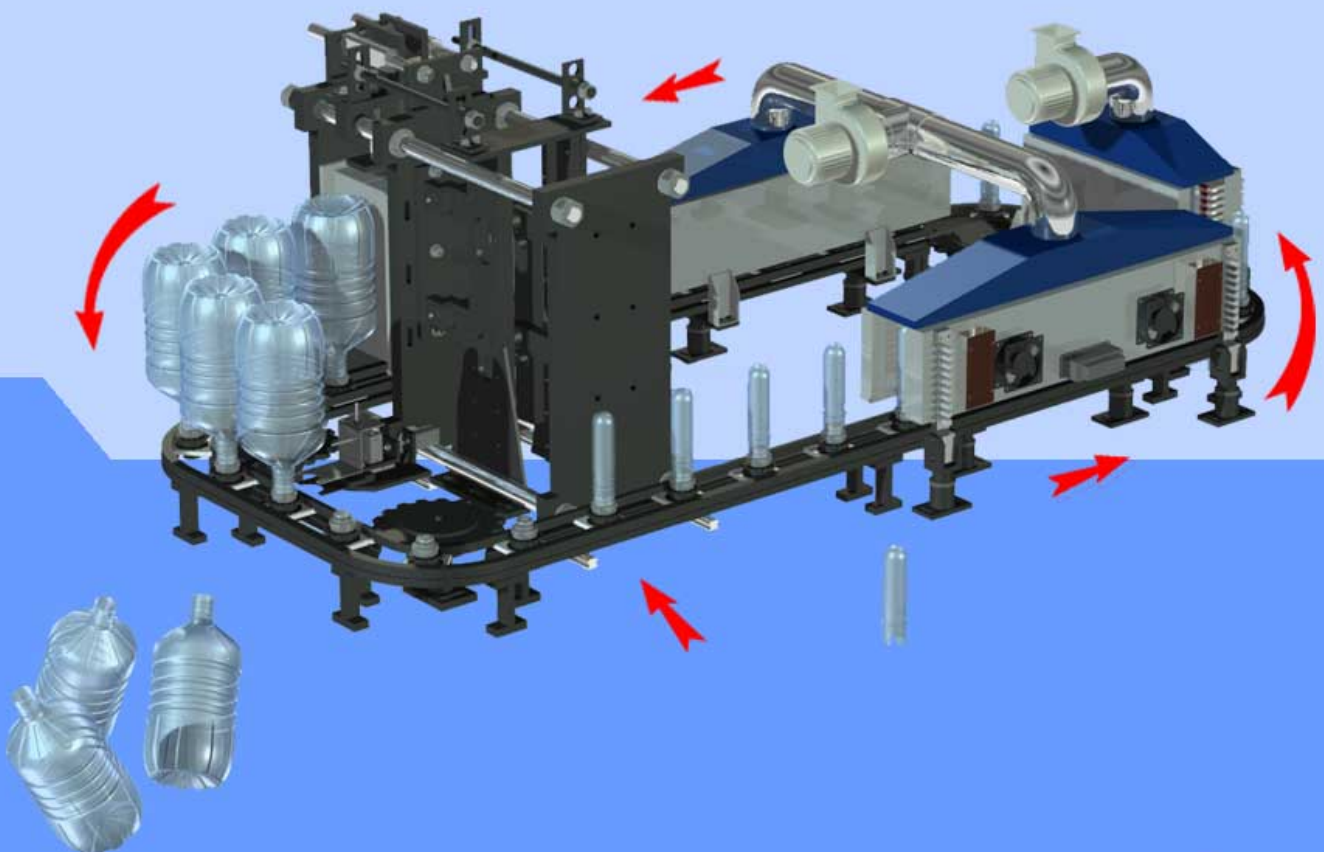
To ensure the preform get sufficient and correct heat is very important for following bottle blow. At the same time, how to steady the heating temperature and prevent the preform neck from overheating is another key point. On SMS10000, you will find the ideal combination among heating, venting and cooling.

Pneumatic System

Pneumatic system is the power source for SMS10000's movement. According to different usage, the whole system has been divided into execute component, solenoid valve component and pneumatic auxiliary component

Mechanical System

Like bone for human, mechanical system is very important for machine. On SMS10000, you will find strong clamping unit, reliable seal and stretch device, smooth transferring chain-wheel and compact machine frame, all of which provide a heavy-duty capacity for SMS10000 and ensures machine's long service life.





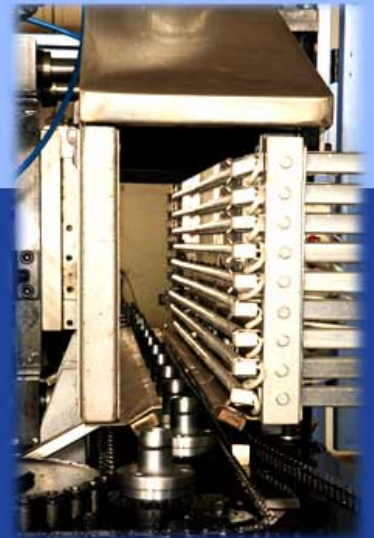
Preform Feeding Station



Preform Moving Unit



Bottle Discharge Unit

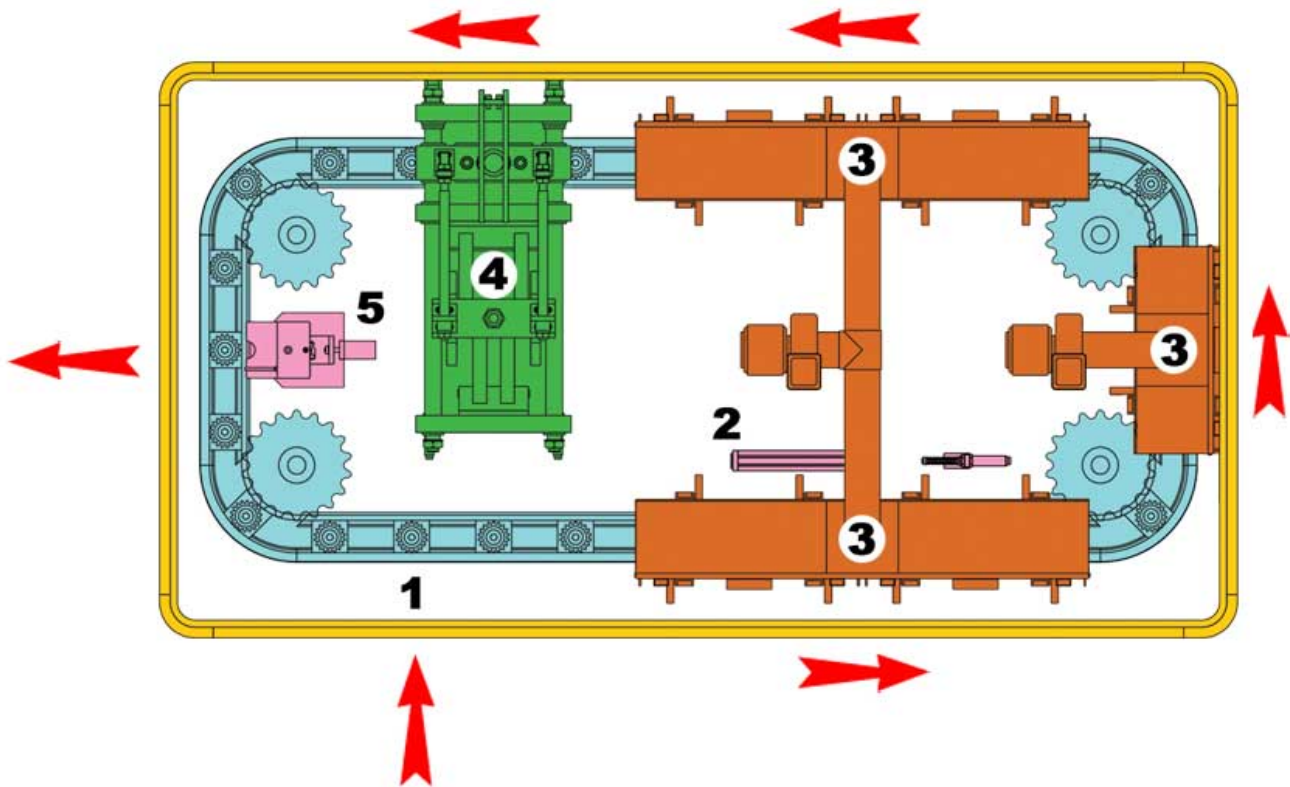


Preform Reheating Unit



Clamping Unit

Operating Description



- (1) Input preform onto machine's preform holder
- (2) Transfer the preform along the moving rail
- (3) Heat the preform
- (4) Blow the heated preform into bottle
- (5) Discharge the bottle from the machine



Design Galleries

Follows are some finish PET BOTTLE example that SMS10000 can produce:



-  6000ml
-  318.8mm
-  48mm
-  167.8X167.8mm
-  90g
-  1 Cavity



-  7000ml
-  386.5mm
-  48mm
-  172.3X172.3mm
-  110g
-  1 Cavity



-  9000ml
-  437.9mm
-  48mm
-  191.9X191.9mm
-  120g
-  1 Cavity



-  10000ml
-  367.4mm
-  48mm
-  199X199mm
-  120g
-  1 Cavity

Cavity Number:

one cavity.

Structure:

It is made up of four parts: cavity body, base plate, bottom and neck.

Material:

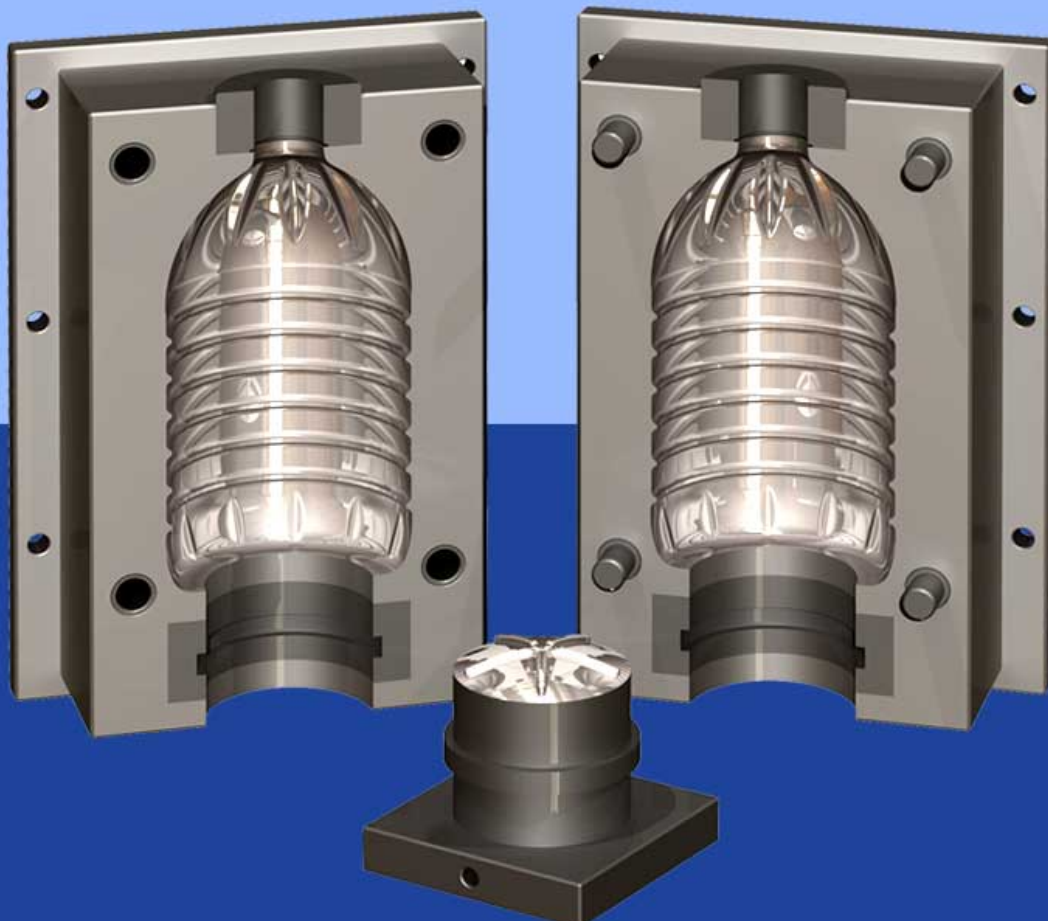
The base plate, bottom and neck part will be made by steel. While, for cavity body, there are two kinds of material for selection - aluminum & steel. Light weight, fast heat conduction and complete rustproof are aluminum mold's prominent advantage. While, economical steel mold can be also considerable for investment-limit project.

Dimension:

The outside dimension is always the same, especially the thickness (280mm), and won't change along with bottle's shape and volume.

Cooling:

U-shape cooling groove has been made on the back of cavity body for ideal cooling. As for the mold bottom, water cooling, air cooling and blow doffing can be carried out at the same time to prevent bottle bottom from shrinking and being caught by the mold bottom.



Model		SMS10000
Mold Cavity	n.	1
Max Body Diameter	mm	200
Max Body Height	mm	450
Neck Range	mm	40~50
Bottle Volume	liter	up to 10
Max Nominal Output	b/h	500
Heating Capacity	kw	45
Total Installed Power	kw	46.5
Mold Thickness	mm	280
Operating Pressure	bar	8~10
Blowing Pressure	bar	25~35
Temp. Control Point	pc	10
Dimension	mm	3000X1600X2200
Net Weight	kg	2500

NOTE: Specifications are subject to change without prior notice.

